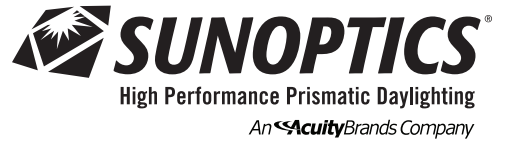


ProDomeTM Series

Fixed Industrial Skylights



Frame Model 700MD/800SC

KEY FEATURES

AAMA Tested
NFRC Tested

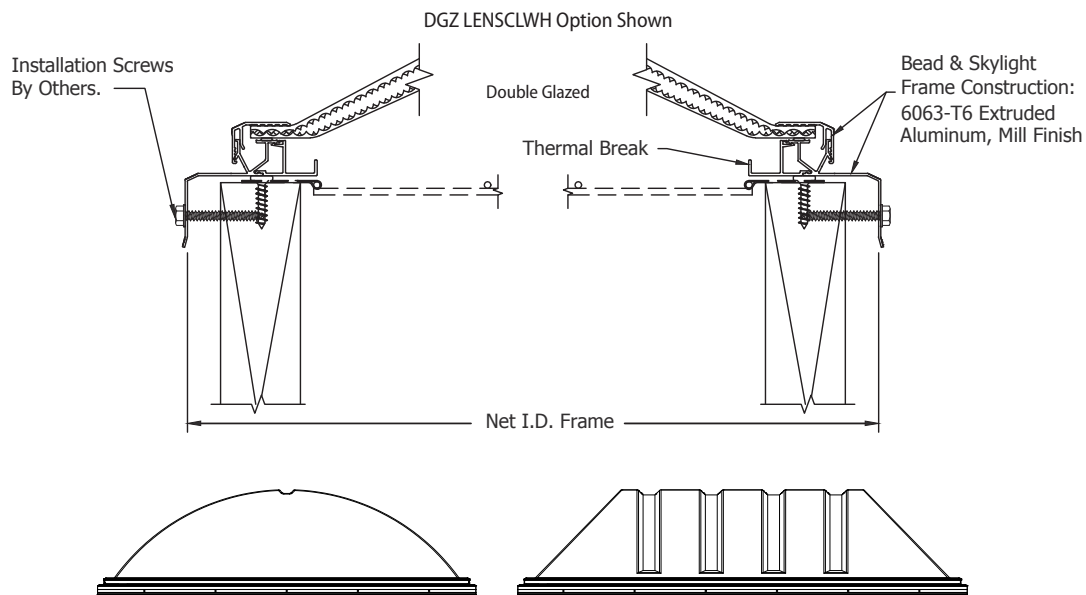
Warranty: 5-year and 10-year limited warranty available. Complete warranty terms located at: www.acuitybrands.com/CustomerResources/Terms_and_conditions.aspx

Note: Actual performance may differ as a result of end-user environment and application.

Specifications subject to change without notice.

PRODUCT PROFILE

Details Not To Scale



SPECIFICATIONS

Skylights shall be Sunoptics model 700MD (curb mounted) as manufactured by Sunoptics Skylights, 6201 27th Street, Sacramento Ca. 95822 (916)395-4700

Skylights shall be glazed ready for installation.

Skylight frames shall be fabricated from 6061 T6. Frames shall have an integral condensation gutter and a weepage gutter which will drain interior moisture to the outside. Corners shall be mitered and welded. The glazing shall be separated from the skylight frame with a Silicon Seal.

Skylights shall be glazed using 100% Impact Modified CC2 Prismatic Acrylic and/or CC1 rated Prismatic polycarbonate in a ProDomeTM Series Dome configuration. Note: Acrylic Option shall be glazed using 100% IMA for the top lens and 50% IMA for the bottom lens.

Note: 700MD units to include Thermal Break. 800SC units do not include Insulated Thermal Break. All units default to not include Curb Seal Tape or Installation Screws.

Certain airborne contaminants can diminish the integrity of acrylic and/or polycarbonate lenses. Refer to the compatibility tables for suitable uses on our website.

Skylights not for use in Harsh, Corrosive, Marine and high-humidity Environmental Conditions such as Marina, Greenhouses, Petrol-Chemical facilities or other chemicals where the skylights may be exposed to such conditions.

Type	SHGC	U-Value	VLT
Double Glazed Acrylic/Acrylic	.48	.72	.68
Double Glazed Poly/Poly	.48	.72	.64

Cleaning Acrylic Lenses: Frequency of cleaning is determined by site conditions. When cleaning acrylic lenses, use only water or water with a mild soap. Use a soft rag to minimize scratching the acrylic. A pressure washer is acceptable to use as well. Never use ammonia, aromatic or petroleum based products to clean acrylic lenses. This will cause deterioration and cracking of the lens and will void the warranty.

Skylights should not be installed in locations with an operating temperature in excess of -75° F or 180° F.

ORDERING LOGIC

ProDome™ Series

					▶▶
--	--	--	--	--	----

Fixture		ID Frame Call-Out		ID Frame Width		ID Frame Length		Glazing	
PDOME	ProDome™ Lens	4040	51-1/4" x 51-1/4"	W51.250	Width 51.250 inches	L51.250	Length 51.250 inches	DGZ	Double Glazed
		4070	51-1/4" x 87-1/4"	W51.250	Width 51.250 inches	L87.250	Length 87.250 inches		
		4080	52-1/4" x 100-1/4"	W52.250	Width 52.250 inches	L100.250	Length 100.250 inches		
		5050	63-1/4" x 63-1/4"	W63.250	Width 63.250 inches	L63.250	Length 63.250 inches		
		5060	63-5/8" x 75-5/8"	W63.625	Width 63.625 inches	L75.625	Length 75.625 inches		

--	--	--	--	--

Lens Material		Lens Color		Frame Type		Finish		Options	
CC1	Polycarbonate	LENSWHCL	White Clear	700MD	(Default)	MI	Mill (Default)	(blank)	No Options
CC2	Acrylic	LENSCLWH	Clear White (Double Glaze Default)	800SC	So-Cal Frame	WH	White	CT	Curb Tape
		LENSHWHH	White White			BZ	Bronze		
		LENSCLCL	Clear Clear			CF	Custom		