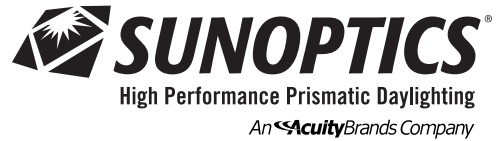


# Sunoptics LightFlex™

For Suspended-Ceiling Applications  
21" (533mm) Diameter Tubular Daylighting System



## LightFlex™ Tubular System SLFT

### KEY FEATURES

Patent-Pending Prismatic Optic Sphere for Increased Daylight Conveyance

98% Reflective MIRO-SILVER® Interior Light Well with Greater than 99% Specular Quality

Adjustable Elbows to Bypass Obstructions

Acuity Brands Luminaire Diffuser Options to Complement your Lighting Design

Optional Warm-White Color Shifting Lens Insert to Complement your Lighting Design

### AVAILABLE CERTIFICATIONS

HVHZ Approved

FM Approved

AAMA Certified

NFRC Certified

### SPECIFICATIONS

LightFlex shall be Sunoptics model 800SLFT as manufactured by Sunoptics, an Acuity Brands Company, 6201 27th Street, Sacramento Ca. 95822 916/395-4700

Signature Series Prismatic Skylight frame shall be fabricated from 6063-T5 aluminum, finish to be natural mill. Frames shall have integral condensation and weepage gutters which drain interior moisture to the outside. Corners shall be mitered and welded. The acrylic glazing shall be separated from the skylight frame with a Silicon Seal.

The integral curb shall be fabricated from .063" sheet aluminum on the exterior, corners heli-arc welded, and include a rigid insulation. The -21" (533mm) diameter light well shall be fabricated from 98% reflective MIRO-SILVER® with greater than 99% specular quality.

Round to square transition fabricated from 98% reflective MIRO-SILVER® with greater than 99% specular quality with integrated diffuser door frame. Multiple lens options available with differentiating luminous patterns and designs.

**CONTROLS:** The LightFlex daylighting system is available both nLight®-enabled and with LC&D™ control systems, allowing integration of daylight and electric lighting.

Certain airborne contaminants can diminish the integrity of acrylic and/or polycarbonate lenses. Refer to the compatibility tables for suitable uses on our website.

Skylights not for use in Harsh, Corrosive, Marine and high-humidity Environmental Conditions such as Marina, Greenhouses, Petrol-Chemical facilities or other chemicals where the skylights may be exposed to such conditions.

Warm-white color-shifting lens is available as an option to shift daylight temperature to between 3600-3700k depending on the time of day.

LightFlex 2040 and 4040 systems and sizes available. Contact your Sunoptics representative for more details.

**Warranty:** 5-year and 10-year limited warranty available. Complete warranty terms located at: [www.acuitybrands.com/CustomerResources/Terms\\_and\\_conditions.aspx](http://www.acuitybrands.com/CustomerResources/Terms_and_conditions.aspx)

**Note:** Actual performance may differ as a result of end-user environment and application.

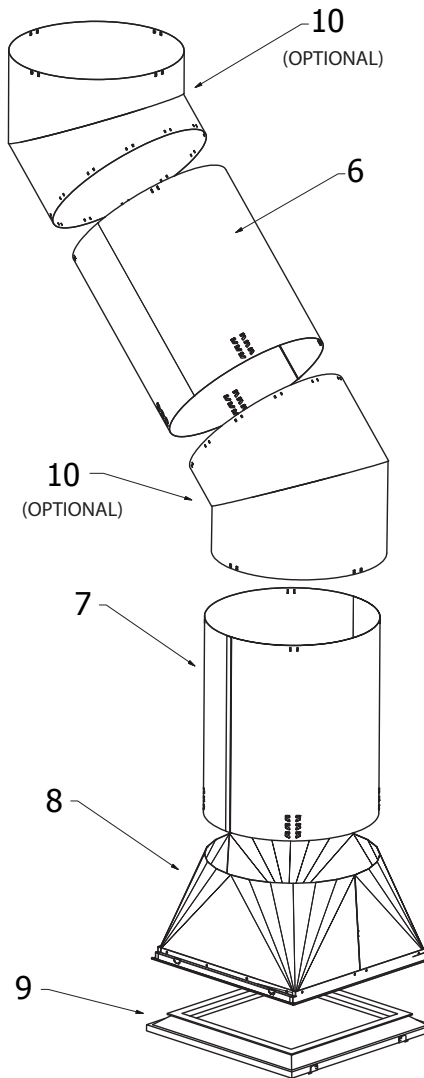
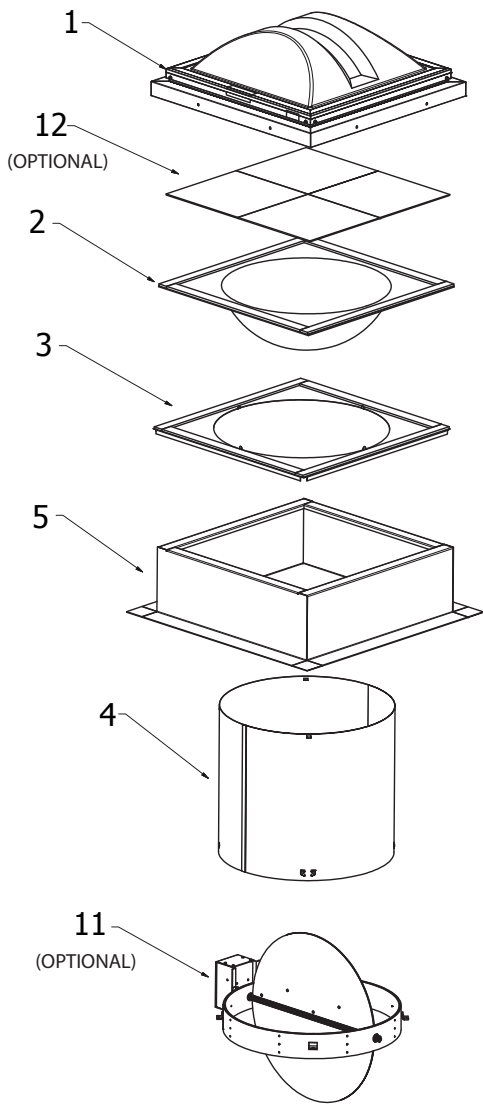
Specifications subject to change without notice.

**Cleaning Acrylic Lenses:** Frequency of cleaning is determined by site conditions. When cleaning acrylic lenses, use only water or water with a mild soap. Use a soft rag to minimize scratching the acrylic. A pressure washer is acceptable to use as well. Never use ammonia, aromatic or petroleum based products to clean acrylic lenses. This will cause deterioration and cracking of the lens and will void the warranty.

Skylights should not be installed in locations with an operating temperature in excess of -75° F or 180°F.

# PRODUCT PROFILE

Details Not To Scale



Type	SHGC	U-Value
LightFlex - Acrylic/Acrylic	.24	.40
LightFlex - Poly/Acrylic	.24	.40
LightFlex - Poly/Poly	.24	.40

Roof Curb	Aluminum
Outside Dimensions	25" (635mm) x 25" (635mm)
Inside Dimensions	22" (559mm) x 22" (559mm)
Height	8" (203mm) and 14" (356mm)

Item	Description
STANDARD KIT ITEMS (Items 1 - 10)	
1	Signature Series Skylight Assembly
2	Optic Sphere
3	Curb Transition
4	18" (406mm) Roof Curb Top Tube
5	Curb
6	24" (610mm) Light Well Tube #1
7	24" (610mm) Light Well Tube #2
8	Round-To-Square Transition
9	Diffuser
OPTIONAL ITEMS (Non-Standard Kit Items. Please specify in order logic.)	
10	Adjustable 22.5° Angle Tube
11	Single-Blade Louver
12	LightFlex CCT
1) Quantity of tube sections is determined by curb to suspended ceiling distance. (See page 2)	

# ORDERING LOGIC

# LightFlex™ Tubular System SLFT

			▶▶▶
--	--	--	-----

Fixture	Curb Height	Skylight Glazing	Skylight Lens Material
SLFT LightFlex Tubular System	<b>2108</b> 8 inch (203mm) (Default)	<b>SGZ</b> Single Glaze	<b>CC1CC2</b> Polycarbonate
	<b>2114</b> 14 inch (356mm)	<b>DGZ</b> Double Glaze	<b>CC1</b> Polycarbonate <b>CC2CL1</b> Acrylic Class 1 (Default) <b>CC2CL3</b> Acrylic Class 3

--	--	--

Diffuser Lens Style	Light Wall Length	Options
<b>TLSBOX</b> TLED Shadowbox Lens Assembly	<b>4FT</b> 4-Foot (1219mm) Shaft	<b>DAMPER</b> Light Louver
<b>TLA19</b> A19 Lens Assembly	<b>6FT</b> 6-Foot (1829mm) Shaft	<b>ADAPTOR</b> Louver Adaptor
<b>TLMICPRIS</b> TLED Microprism Lens Assembly	<b>8FT</b> 8-Foot (2438mm) Shaft	<b>ELBOWS</b> Elbows for Obstructions
<b>TLSATIN</b> TLED Satin Lens Assembly	<b>10FT</b> 10-Foot (3048mm) Shaft	<b>ELBOWS2</b> Double Elbows for Obstructions
<b>ACL</b> ACLED Troffer Lens Assembly	<b>12FT</b> 12-Foot (3658mm) Shaft	<b>SUSKIT</b> Suspension Wire Kit
<b>METRIC</b> 600mm x 600mm Ceiling Grid Pattern	<b>14FT</b> 14-Foot (4267mm) Shaft	<b>DWGA*</b> Dry-Wall Grid Adaptor
<b>MG2WHFL</b> Magellan White Flat Lens	<b>16FT</b> 16-Foot (4877mm) Shaft	<b>SBAR</b> Security Bar
<b>MG2WHPR</b> Magellan White Prismatic Round Lens	<b>18FT</b> 18-Foot (5486mm) Shaft	<b>CCT</b> Warm-white color-shifting lens
<b>ALLED</b> ALLED Troffer		

**Note:**  
 - The Diuser Lens Styles mentioned above are only available for the SLFT model.  
 - For other diuser lens styles, please contact your Sunoptics Representative.

**Note:**  
 - To select the Light Well Length, determine the length from the top of the selected curb (8in or 14in), to the suspended ceiling.  
 - If the determined length falls between shaft lengths, select the longer length available.  
 - Additional tubes may be required when using elbows and avoiding obstructions.  
 - For lengths over 18ft, please contact your local Sunoptics Representative.

**Note:**  
 - The maximum angle of adjustment for each individual Elbow is 30 degrees.

\* Only available with Magellan Lens options

