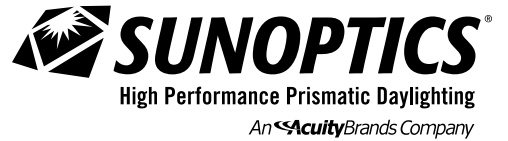


Motorized Light Louvers

With Exterior Motor



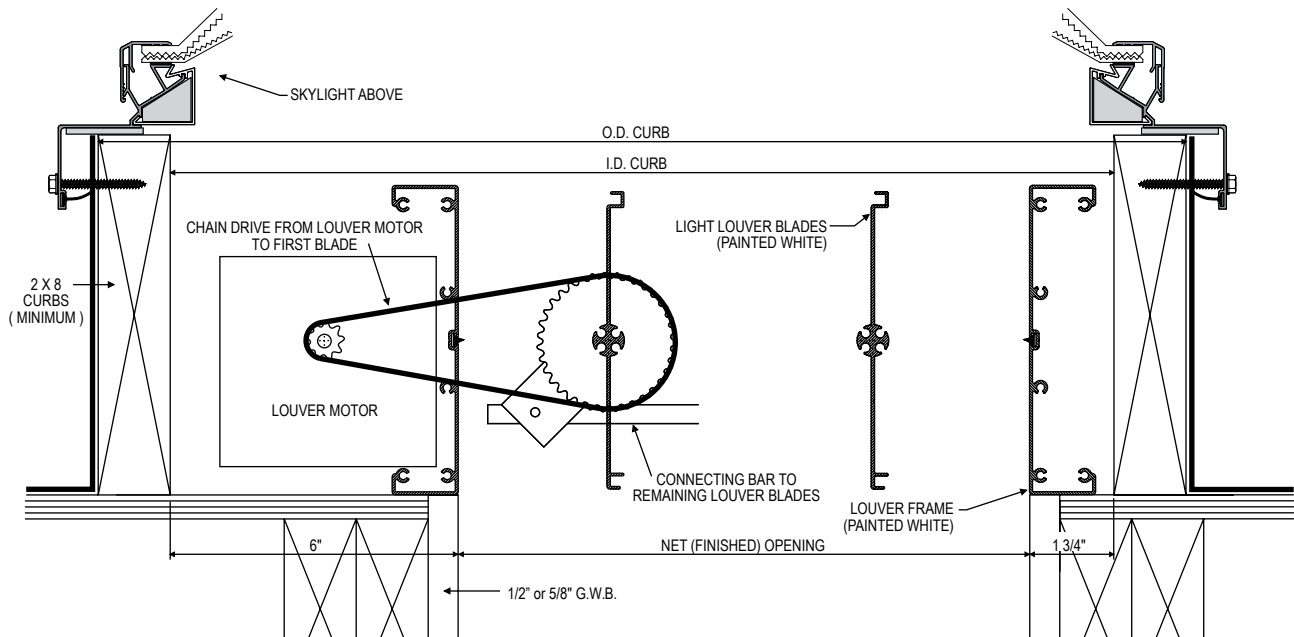
Frame Model 900

KEY FEATURES

Exterior motor mount for new construction

PRODUCT PROFILE

Details Not To Scale



SPECIFICATIONS

Light Control Louvers shall be Sunoptics model 900 motorized as manufactured by Sunoptics Skylights, 6201 27th Street, Sacramento Ca. 95822 916/395-4700

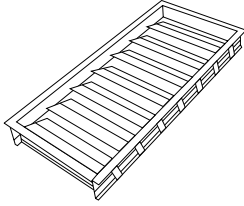
Louvers shall be factory assembled, ready for installation.

Louver frame and blades shall be fabricated from 6063-T6 aluminum, finish to be baked on enamel, white in color.

Louver frames shall be mechanically joined at the corners. Blades shall be 6" on center, rotating on a 5/8" rigid PVC bearing. Aluminum end plates shall be fastened to the ends of each blade and act as thrust caps against the PVC bearing. End plates shall be attached to an aluminum bar on 1 side for gang operation.

Standard Louvers shall be electrically operated using Sunoptics standard synchronous 115VAC motor unit. The 60hz, 7 Watt motor shall be integrated to the louver assembly and shall be equipped with limit switches at full open and closed positions drawing 6 amps.

A cycle test was performed on the Sunoptics Louver and successfully taken to over 2,000,000 cycles.



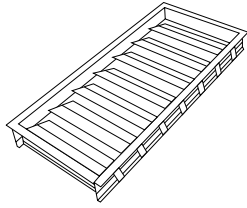
Motorized Light Louvers

With Exterior Motor

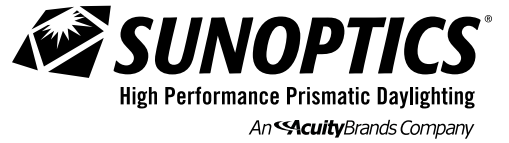
Frame Model 900

ORDERING LOGIC

<u>Fixture</u>	<u>Net (Finished) Opening</u>	<u>Motor Location</u>	<u>Motor Type</u>
LVR Louver	2020E 24-3/8" x 24-3/8" 2030E 24-3/8" x 36-3/8" 2040E 24-3/8" x 48-3/8" 2060E 24-3/8" x 72-3/8" 2080E 24-3/8" x 96-3/8" 3030E 36-3/8" x 36-3/8" 3040E 36-3/8" x 48-3/8" 3060E 36-3/8" x 72-3/8" 3080E 36-3/8" x 96-3/8" 4040E 48-3/8" x 48-3/8" 4060E 48-3/8" x 72-3/8" 4080E 49-3/8" x 97-3/8"	EXTM Exterior Motor	115VAC 115 Volt AC Motor (Default) 24VAC 24 Volt AC Motor 240VAC 240 Volt AC Motor



Manual Operated Light Louvers



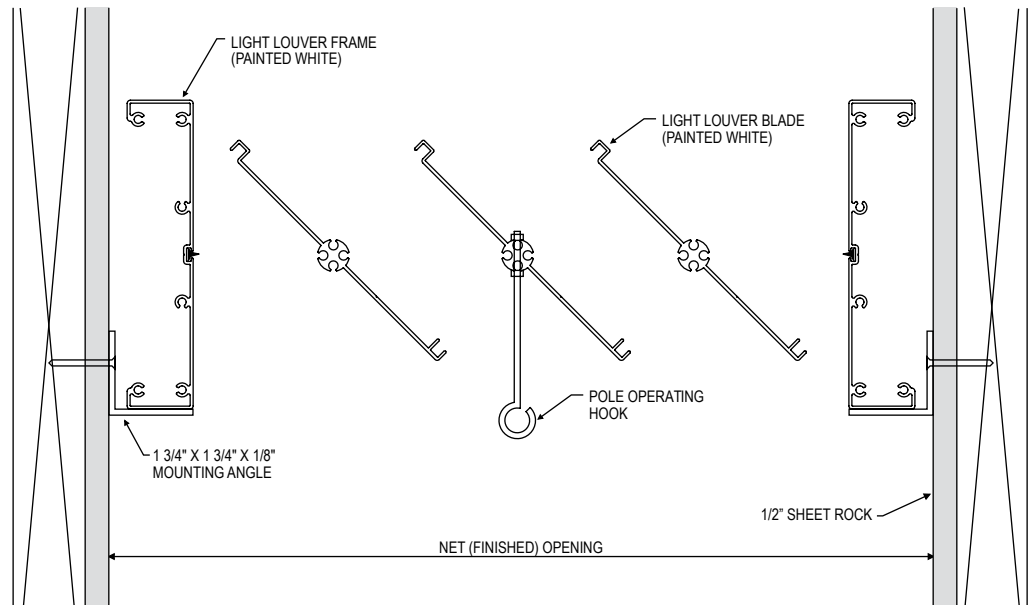
Frame Model 900

KEY FEATURES

Manual light control

PRODUCT PROFILE

Details Not To Scale



SPECIFICATIONS

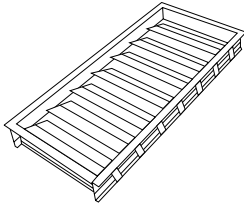
Light Control Louvers shall be Sunoptics model 900 manually operated as manufactured by Sunoptics Skylights, 6201 27th Street, Sacramento Ca. 95822 916/395-4700

Louvers shall be factory assembled, ready for installation.

Louver frame and blades shall be fabricated from 6063-T5 aluminum, finish to be baked on enamel, white in color.

Louver frames shall be mechanically joined at the corners. Blades shall be 6" on center, rotating on a 5/8" rigid PVC bearing. Aluminum end plates shall be fastened to the ends of each blade and act as thrust caps against the PVC bearing. End plates shall be attached to an aluminum bar on 1 side for gang operation.

Louvers shall be equipped with an eye hook rod, mounted to 1 blade for pole operation.

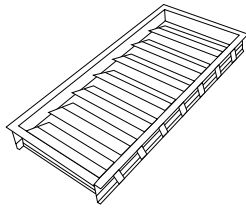


Manual Operated Light Louvers

Frame Model 900

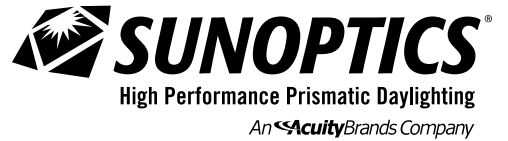
ORDERING LOGIC

Fixture	ID Curb Dimensions	Motor Location
LVR Louver	2020 23" x 23"	NONE Manual Control (No Motor)
	2020E 24-3/8" x 24-3/8"	
	2030 23" x 35"	
	2030E 24-3/8" x 36-3/8"	
	2040 23" x 47"	
	2040E 24-3/8" x 48-3/8"	
	2060 23" x 71"	
	2060E 24-3/8" x 72-3/8"	
	2080 23" x 95"	
	2080E 24-3/8" x 96-3/8"	
	3030 35" x 35"	
	3030E 36-3/8" x 36-3/8"	
	3040 35" x 47"	
	3040E 36-3/8" x 48-3/8"	
	3060 35" x 71"	
	3060E 36-3/8" x 72-3/8"	
	3080 35" x 95"	
	3080E 36-3/8" x 96-3/8"	
	4040 47" x 47"	
	4040E 48-3/8" x 48-3/8"	
	4060 47" x 71"	
	4060E 48-3/8" x 72-3/8"	
	4080 48" x 96"	
	4080E 49-3/8" x 97-3/8"	
	5060 59-3/8" x 71-3/8"	



Motorized Light Louvers

With Interior Motor



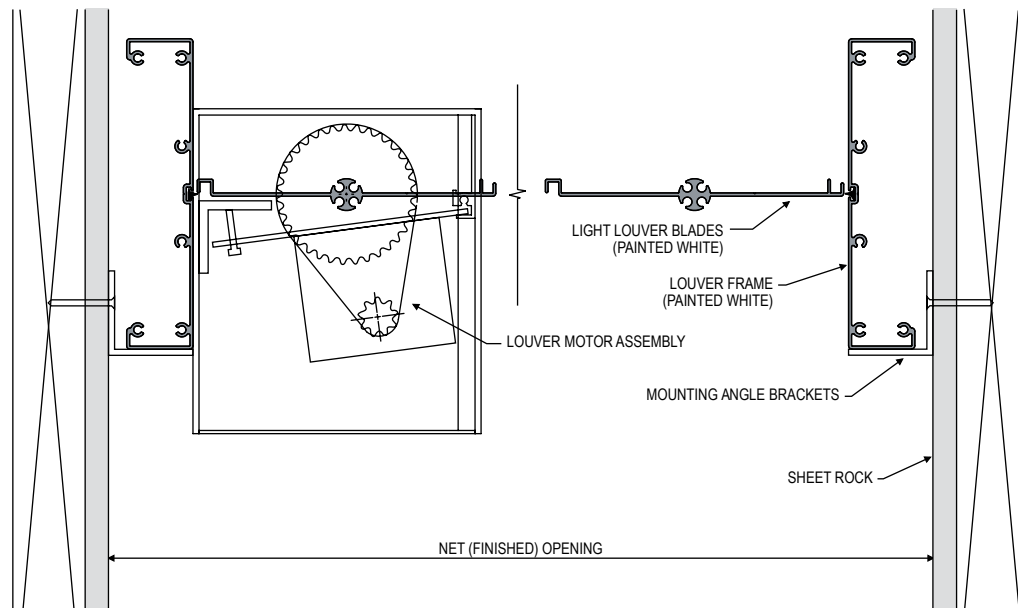
Frame Model 900

KEY FEATURES

Interior motor for retrofit applications

PRODUCT PROFILE

Details Not To Scale



SPECIFICATIONS

Light Control Louvers shall be Sunoptics model 900 motorized as manufactured by Sunoptics Skylights, 6201 27th Street, Sacramento Ca. 95822 916/395-4700

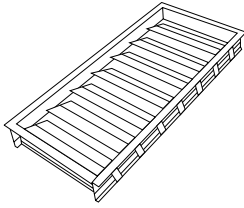
Louvers shall be factory assembled, ready for installation.

Louver frame and blades shall be fabricated from 6063-T6 aluminum, finish to be baked on enamel, white in color.

Louver frames shall be mechanically joined at the corners. Blades shall be 6" on center, rotating on a 5/8" rigid PVC bearing. Aluminum end plates shall be fastened to the ends of each blade and act as thrust caps against the PVC bearing. End plates shall be attached to an aluminum bar on 1 side for gang operation.

Standard Louvers shall be electrically operated using Sunoptics standard synchronous 115VAC motor unit. The 60hz, 7 Watt motor shall be integrated to the louver assembly and shall be equipped with limit switches at full open and closed positions drawing 6 amps.

A cycle test was performed on the Sunoptics Louver and successfully taken to over 2,000,000 cycles.



Motorized Light Louvers

With Interior Motor

Frame Model 900

ORDERING LOGIC

<u>Fixture</u>	<u>Net (Finished) Opening</u>	<u>Motor Location</u>	<u>Motor Type</u>
LVR Louver	2020 23" x 23"	INTM Interior Motor	115VAC 115 Volt AC Motor (Default)
	2030 23" x 35"		24VAC 24 Volt AC Motor
	2040 23" x 47"		240VAC 240 Volt AC Motor
	2060 23" x 71"		
	2080 23" x 95"		
	3030 35" x 35"		
	3040 35" x 47"		
	3060 35" x 71"		
	3080 35" x 95"		
	4040 47" x 47"		
	4060 47" x 71"		
	4080 48" x 96"		
	5060 59-3/8" x 71-3/8"		