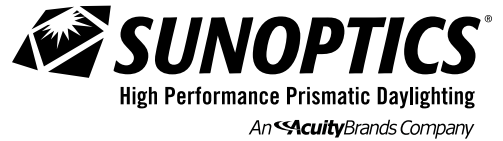


Signature Series Dome

Fixed Industrial Skylight



Frame Model 800MD

AVAILABLE CERTIFICATIONS

FM Approval # 4431
 High Velocity Hurricane Zone Approved
 CE Certified
 Class 1, Class 3 and Class 4 Hail Ratings Available
 (Class 1 Default)

Warranty: 5-year and 10-year limited warranty available. Complete warranty terms located at: www.acuitybrands.com/CustomerResources/Terms_and_conditions.aspx

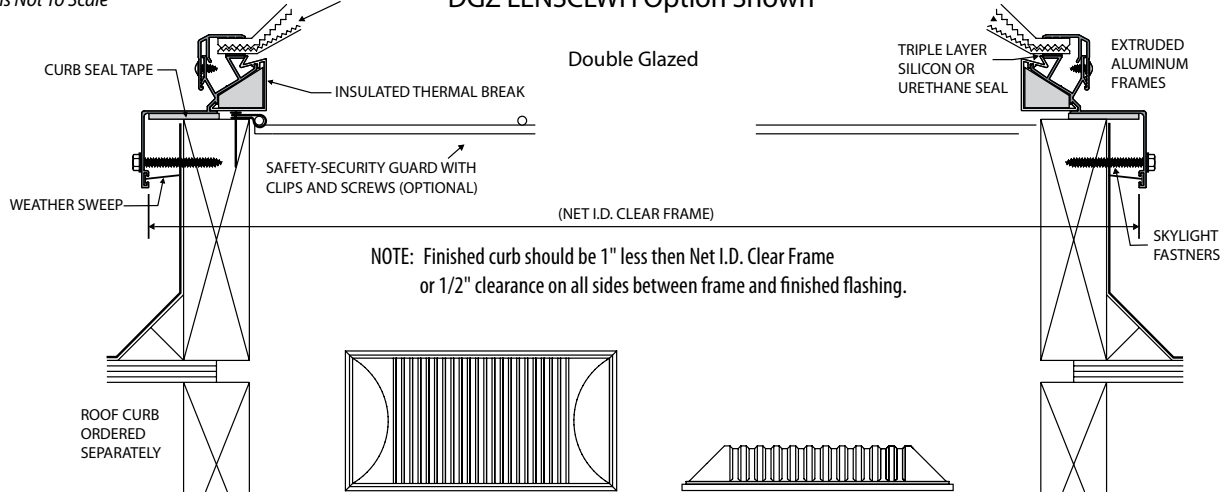
Note: Actual performance may differ as a result of end-user environment and application.

Specifications subject to change without notice.

PRODUCT PROFILE

Details Not To Scale

DGZ LENSCLWH Option Shown



SPECIFICATIONS

Skylights shall be Sunoptics model 800MD (curb mounted) as manufactured by Sunoptics Skylights, an Acuity Brands Company, 6201 27th Street, Sacramento CA 95822 916/395-4700.

Skylights shall be glazed ready for installation.

Skylight frames shall be fabricated from 6063 T6 aluminum, finish to be natural mill. Frames shall have integral condensation and weepage gutters which drain interior moisture to the outside. Corners shall be mitered and welded. The acrylic glazing shall be separated from the skylight frame with a Silicon Seal.

Skylights shall be glazed using 50% or 100%, Impact Modified CC2 Prismatic Acrylic and/or CC1 rated, Prismatic polycarbonate in a Signature Series Dome configuration.

FM Approved Skylights shall be Double glazed using CLEAR ARMOR® Clear Polycarbonate Prismatic over CLEAR ARMOR® High White Polycarbonate Prismatic lens, CC1/Class A Rated, FM Approved.

FM Approved Skylights shall be tested and approved under Factory Mutual #4431 testing method for fixed skylights. Class A / CC1 flame rating. Standard Size units up to 5080 are tested and certified to AAMA/WDMA/CSA101/I.S.2/A440 to comply with 800MD frame section 2405.5 of the International Building Code.

Certain airborne contaminants can diminish the integrity of acrylic and/or polycarbonate lenses. Refer to the compatibility tables for suitable uses on our website.

Skylights not for use in Harsh, Corrosive, Marine and high-humidity Environmental Conditions such as Marina, Greenhouses, Petro-Chemical facilities or other chemicals where the skylights may be exposed to such conditions.

Note: Multi-glazed units default to include Insulated Thermal Break (ITBR), Curb Seal Tape, Weather Sweep (WSW) and screws. Single-glazed units default to not included any of these options.

Testing was performed on HVHZ skylights per Florida Building Code, Test Protocols for High Velocity Hurricane Zone (HVHZ), Protocols TAS 201, TAS 202 and TAS 203. The samples tested met the performance requirements set forth in the protocols for a ±60.0 psf Design Pressure rating. Size units up to 5080 with 800MD frame are tested and listed for HVHZ.

Type	SHGC	U-Value	VLT
Single Glazed Acrylic CL1	.68	n/a	.74
Single Glazed Poly	.68	n/a	.70
Double Glazed Acrylic/Acrylic	.48	.72	.68
Doubled Glazed (FM) Poly/Poly	.48	.72	.64
Double Glazed (HVHZ) Poly/Acrylic	.48	.72	.65
Triple Glazed Class 1 Acrylic/Acrylic/Acrylic	.39	.60	.62
Triple Glazed Class 3 Acrylic/Acrylic/Acrylic	.39	.60	.63

Cleaning Acrylic Lenses: Frequency of cleaning is determined by site conditions. When cleaning acrylic lenses, use only water or water with a mild soap. Use a soft rag to minimize scratching the acrylic. A pressure washer is acceptable to use as well. Never use ammonia, aromatic or petroleum based products to clean acrylic lenses. This will cause deterioration and cracking of the lens and will void the warranty.

Skylights should not be installed in locations with an operating temperature in excess of -75° F or 180°F.

ORDERING LOGIC

Signature Series Dome

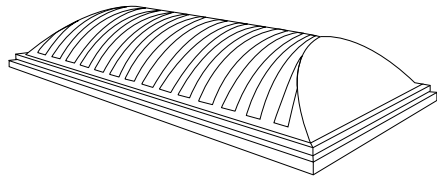


Fixture	ID Frame Call-Out	ID Frame Width	ID Frame Length	Glazing	Lens Material					
SIG Signature Series	2020	27-1/4" x 27-1/4"	W27.250	Width 27.250 inches	L27.250	Length 27.250 inches	SGZ	Single Glaze	CC1CC2	Poly/Acrylic
	2040	27-1/4" x 51-1/4"	W27.250	Width 27.250 inches	L51.250	Length 51.250 inches	DGZ	Double Glaze	CC1	Polycarbonate
	2080	27-1/4" x 99-1/4"	W27.250	Width 27.250 inches	L99.250	Length 99.250 inches	TGZ	Triple Glaze	CC2CL1	Acrylic Class 1
	20100	27-1/4" x 123-1/4"	W27.250	Width 27.250 inches	L123.250	Length 123.250 inches			CC2CL3	Acrylic Class 3
	3030	39-1/4" x 39-1/4"	W39.250	Width 39.250 inches	L39.250	Length 39.250 inches				
	3050	39-1/4" x 63-1/4"	W39.250	Width 39.250 inches	L63.250	Length 63.250 inches				
	3060	39-1/4" x 75-1/4"	W39.250	Width 39.250 inches	L75.250	Length 75.250 inches				
	3080	39-1/4" x 99-1/4"	W39.250	Width 39.250 inches	L99.250	Length 99.250 inches				
	30100	39-1/4" x 123-1/4"	W39.250	Width 39.250 inches	L123.250	Length 123.250 inches				
	4040	51-1/4" x 51-1/4"	W51.250	Width 51.250 inches	L51.250	Length 51.250 inches				
	4050	51-1/4" x 63-1/4"	W51.250	Width 51.250 inches	L63.250	Length 63.250 inches				
	4060	51-1/4" x 75-1/4"	W51.250	Width 51.250 inches	L75.250	Length 75.250 inches				
	4070	51-1/4" x 87-1/4"	W51.250	Width 51.250 inches	L87.250	Length 87.250 inches				
	4080	52-1/4" x 100-1/4"	W52.250	Width 52.250 inches	L100.250	Length 100.250 inches				
	40100	52-1/4" x 123-1/4"	W52.250	Width 52.250 inches	L123.250	Length 123.250 inches				
	5050	63-1/4" x 63-1/4"	W63.250	Width 63.250 inches	L63.250	Length 63.250 inches				
	5060	63-5/8" x 75-5/8"	W63.625	Width 63.625 inches	L75.625	Length 75.625 inches				
	5558	67-3/4" x 70-3/4"	W67.750	Width 67.750 inches	L70.750	Length 70.750 inches				
	5070	63-1/4" x 87-1/4"	W63.250	Width 63.250 inches	L87.250	Length 87.250 inches				
	5080	63-1/4" x 99-1/4"	W63.250	Width 63.250 inches	L99.250	Length 99.250 inches				
50100	63-1/4" x 123-1/4"	W63.250	Width 63.250 inches	L123.250	Length 123.250 inches					
	<i>Use CUST for Custom sized units.*</i>	W ____	Custom Width	L ____	Custom Length*					



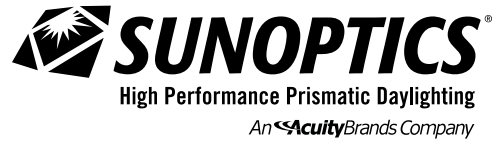
Lens Color	Unit Type	Skylight Frame Finish	Options
LENSWH	White (Single Glaze Default) ¹	800MD Standard Frame	MI Mill (Default) (blank) No Options
LENSCL	Clear ¹	800SC So-Cal Skylight	WH White FMRTG Factory Mutual Approved
LENSWHCL	White Clear ²		BZ Bronze HVHZ High Velocity Hurricane Zone
LENSCLWH	Clear White (Double Glaze Default) ²		CF Custom CE European Standard Certified
LENSWHWH	White White ²		ITBR Insulated thermal break
LENSCLCL	Clear Clear ²		NITBR No Insulated Thermal Break
LENSWHWHWH	White White White ³		WSW Weather Sweep**
LENSCLCLCL	Clear Clear Clear ³		NWSW No Weather Sweep
LENSCLWHCL	Clear White Clear (Triple Glaze Default) ³		
LENSWHCLWH	White Clear White ³		
LENSCLWHWH	Clear White White ³		
LENSWHCLCL	White Clear Clear ³		

* mold fee may apply ** weather sweep available with Mill finish only 1) Single Glaze 2) Double Glaze 3) Triple Glaze



Military Grade Signature

Fixed Industrial Skylight



Frame Model 800MD

AVAILABLE CERTIFICATIONS

GSA/ISC Performance Condition at every level of protection for DOD Chapter 10.

Warranty: 5-year and 10-year limited warranty available. Complete warranty terms located at: www.acuitybrands.com/CustomerResources/Terms_and_conditions.aspx

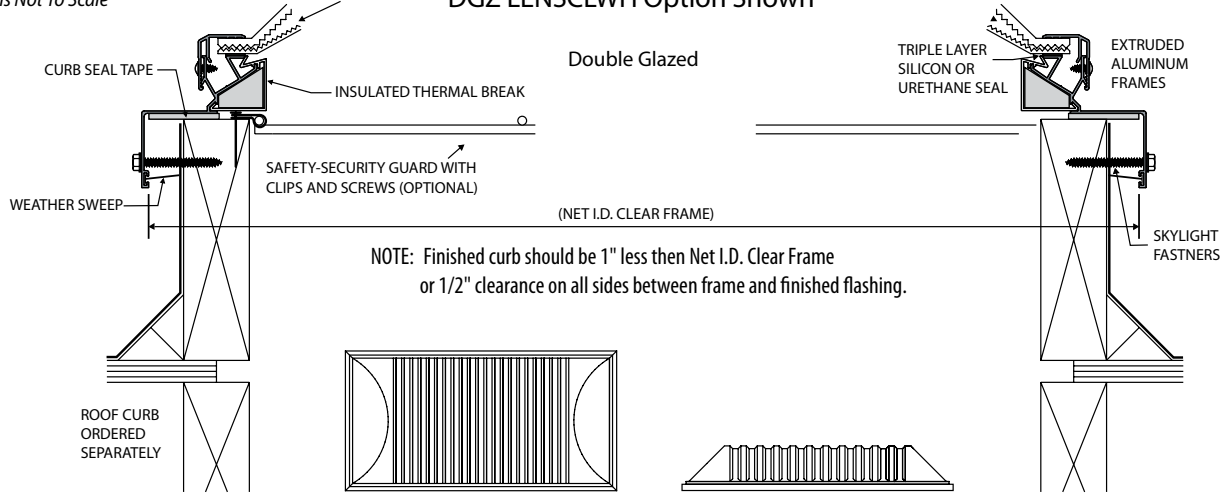
Note: Actual performance may differ as a result of end-user environment and application.

Specifications subject to change without notice.

PRODUCT PROFILE

Details Not To Scale

DGZ LENSCLWH Option Shown



SPECIFICATIONS

Skylights shall be Sunoptics Military Grade model 800MD (curb mounted) as manufactured by Sunoptics Skylights, an Acuity Brands Company, 6201 27th Street, Sacramento CA 95822 916/395-4700.

Skylights shall be glazed ready for installation.

Skylight frames shall be fabricated from 6063 T6 aluminum, finish to be natural mill. Frames shall have integral condensation and weepage gutters which drain interior moisture to the outside. Corners shall be mitered and welded. The acrylic glazing shall be separated from the skylight frame with a flexible seal.

Skylights shall be glazed CC1 rated prismatic polycarbonate in a Signature Series Dome configuration.

Military Grade Signature Skylights shall be Single or Double Glazed Polycarbonate Prismatic lens CC1 rated.

Military Grade Signature Skylights are tested to ASTM F1642 and GSA-TS01 to meet all GSA performance conditions. Military Grade Skylights have a size limitation from 24 ft² to 35.2 ft².

Certain airborne contaminants can diminish the integrity of acrylic and/or polycarbonate lenses. Refer to the compatibility tables for suitable uses on our website.

Skylights not for use in Harsh, Corrosive, Marine and high-humidity Environmental Conditions such as Marina, Greenhouses, Petrol-Chemical facilities or other chemicals where the skylights may be exposed to such conditions.

Note: Multi-glazed units default to include Insulated Thermal Break (ITBR), Curb Seal Tape, Weather Sweep (WSW) and screws. Single-glazed units default to not included any of these options.

Type	SHGC	U-Value	VLT
Single Glazed Poly	.58	n/a	.70
Doubled Glazed (FM) Poly/Poly	.48	.72	.64
Double Glazed (MLTG) Poly/Poly	.48	.72	.64

Cleaning Plastic Lenses: Frequency of cleaning is determined by site conditions. When cleaning plastic lenses, use only water or water with a mild soap. Use a soft rag to minimize scratching the plastic. A pressure washer is acceptable to use as well. Never use ammonia, aromatic or petroleum based products to clean acrylic lenses. This will cause deterioration and cracking of the lens and will void the warranty.

Skylights should not be installed in locations with an operating temperature in excess of -75° F or 180°F.

ORDERING LOGIC

Signature Series Dome

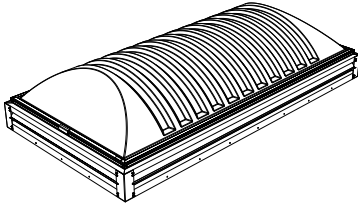
						▶▶▶
--	--	--	--	--	--	-----

Fixture	ID Frame Call-Out	ID Frame Width	ID Frame Length	Glazing	Lens Material
SIG Signature Series	3080 39-1/4" x 99-1/4"	W39.250 Width 39.250 inches	L99.250 Length 99.250 inches	SGZ Single Glaze	CC1 Polycarbonate
	4060 51-1/4" x 75-1/4"	W51.250 Width 51.250 inches	L75.250 Length 75.250 inches	DGZ Double Glaze	
	4070 51-1/4" x 87-1/4"	W51.250 Width 51.250 inches	L87.250 Length 87.250 inches		
	4080 52-1/4" x 100-1/4"	W52.250 Width 52.250 inches	L100.250 Length 100.250 inches		
	5050 63-1/4" x 63-1/4"	W63.250 Width 63.250 inches	L63.250 Length 63.250 inches		
	5060 63-5/8" x 75-5/8"	W63.625 Width 63.625 inches	L75.625 Length 75.625 inches		
	5558 67-3/4" x 70-3/4"	W67.750 Width 67.750 inches	L70.750 Length 70.750 inches		
	5070 63-1/4" x 87-1/4"	W63.250 Width 63.250 inches	L87.250 Length 87.250 inches		
	Use CUST for Custom sized units.*		W . . . Custom Width	L . . . Custom Length*	

--	--	--	--

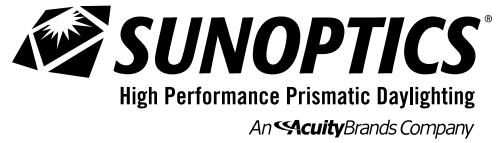
Lens Color	Unit Type	Skylight Frame Finish	Options
LENSWH White (Single Glaze Default) ¹	800MD Standard Frame	MI Mill (Default)	(blank) No Options
LENSCL Clear ¹			MLTG DOD Blast rated "Military Grade"
LENSWHCL White Clear ²			ITBR Insulated thermal break
LENSCLWH Clear White (Double Glaze Default) ²			NITBR No Insulated Thermal Break
LENSWHWH White White ²			WSW Weather Sweep
LENSCLCL Clear Clear ²			NWSW No Weather Sweep

* mold fee may apply 1) Single Glaze 2) Double Glaze



Signature Series Dome

Continuous Venting
Industrial Skylight



Frame Model 805SC

KEY FEATURES

- Continuous venting unit
- Available Bug Screen
- Sunoptics Signature Series Dome configuration

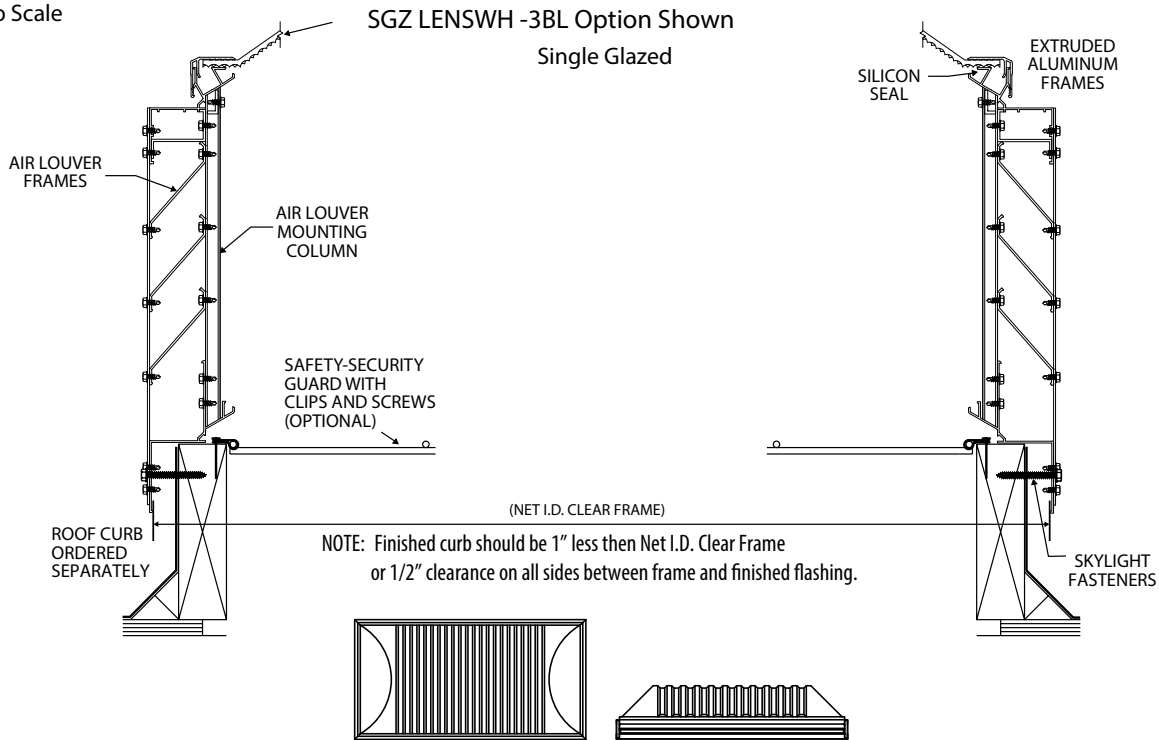
Warranty: 5-year and 10-year limited warranty available. Complete warranty terms located at: www.acuitybrands.com/CustomerResources/Terms_and_conditions.aspx

Note: Actual performance may differ as a result of end-user environment and application.

Specifications subject to change without notice.

PRODUCT PROFILE

Details Not To Scale



SPECIFICATIONS

Skylights shall be Sunoptics model 805SC (curb mounted) as manufactured by Sunoptics Skylights, an Acuity Brands Company, 6201 27th Street, Sacramento CA 95822 916/395-4700.

Skylights shall be glazed ready for installation.

Skylight frames shall be fabricated from 6063 T6 aluminum, finish to be natural mill. Frames shall have integral condensation and weepage gutters which drain interior moisture to the outside. Corners shall be mitered and welded. The acrylic, or polycarbonate, glazing shall be separated from the skylight frame with a Silicon Seal.

Skylights shall be continuous venting using integral Air Louver Blades with a minimum 3/4" overlap. Number of blades as specified.

Skylights shall be glazed using 50% or 100%, Impact Modified CC2 Prismatic Acrylic and/or CC1 rated, Prismatic polycarbonate in a Signature Series Dome configuration.

Certain airborne contaminants can diminish the integrity of acrylic and/or polycarbonate lenses. Refer to the compatibility tables for suitable uses on our website.

Skylights not for use in Harsh, Corrosive, Marine and high-humidity Environmental Conditions such as Marina, Greenhouses, Petro-Chemical facilities or other chemicals where the skylights may be exposed to such conditions.

Type	SHGC	U-Value	VLT
Single Glazed Acrylic	.68	n/a	.74
Single Glazed Poly	.68	n/a	.70
Double Glazed Acrylic/Acrylic	.48	n/a	.68
Doubled Glazed Poly/Poly	.48	n/a	.64
Double Glazed Poly/Acrylic	.48	n/a	.65

Cleaning Acrylic Lenses: Frequency of cleaning is determined by site conditions. When cleaning acrylic lenses, use only water or water with a mild soap. Use a soft rag to minimize scratching the acrylic. A pressure washer is acceptable to use as well. Never use ammonia, aromatic or petroleum based products to clean acrylic lenses. This will cause deterioration and cracking of the lens and will void the warranty.

Skylights should not be installed in locations with an operating temperature in excess of -75° F or 180°F.

ORDERING LOGIC

Signature Series Dome



Fixture	ID Frame Call-Out	ID Frame Width	ID Frame Length	Glazing	Lens Material					
SIG Signature Series	2020	27-1/4" x 27-1/4"	W27.250	Width 27.250 inches	L27.250	Length 27.250 inches	SGZ	Single Glaze	CC1	Polycarbonate
	2040	27-1/4" x 51-1/4"	W27.250	Width 27.250 inches	L51.250	Length 51.250 inches	DGZ	Double Glaze	CC2CL1	Acrylic Class 1
	2080	27-1/4" x 99-1/4"	W27.250	Width 27.250 inches	L99.250	Length 99.250 inches			CC2CL3	Acrylic Class 3
	20100	27-1/4" x 123-1/4"	W27.250	Width 27.250 inches	L123.250	Length 123.250 inches				
	3030	39-1/4" x 39-1/4"	W39.250	Width 39.250 inches	L39.250	Length 39.250 inches				
	3050	39-1/4" x 63-1/4"	W39.250	Width 39.250 inches	L63.250	Length 63.250 inches				
	3060	39-1/4" x 75-1/4"	W39.250	Width 39.250 inches	L75.250	Length 75.250 inches				
	3080	39-1/4" x 99-1/4"	W39.250	Width 39.250 inches	L99.250	Length 99.250 inches				
	30100	39-1/4" x 123-1/4"	W39.250	Width 39.250 inches	L123.250	Length 123.250 inches				
	4040	51-1/4" x 51-1/4"	W51.250	Width 51.250 inches	L51.250	Length 51.250 inches				
	4050	51-1/4" x 63-1/4"	W51.250	Width 51.250 inches	L63.250	Length 63.250 inches				
	4060	51-1/4" x 75-1/4"	W51.250	Width 51.250 inches	L75.250	Length 75.250 inches				
	4070	51-1/4" x 87-1/4"	W51.250	Width 51.250 inches	L87.250	Length 87.250 inches				
	4080	52-1/4" x 100-1/4"	W52.250	Width 52.250 inches	L100.250	Length 100.250 inches				
	40100	52-1/4" x 123-1/4"	W52.250	Width 52.250 inches	L123.250	Length 123.250 inches				
	5050	63-1/4" x 63-1/4"	W63.250	Width 63.250 inches	L63.250	Length 63.250 inches				
	5060	63-5/8" x 75-5/8"	W63.625	Width 63.625 inches	L75.625	Length 75.625 inches				
	5558	67-3/4" x 70-3/4"	W67.750	Width 67.750 inches	L70.750	Length 70.750 inches				
	5070	63-1/4" x 87-1/4"	W63.250	Width 63.250 inches	L87.250	Length 87.250 inches				
	5080	63-1/4" x 99-5/8"	W63.250	Width 63.250 inches	L99.250	Length 99.250 inches				
50100	63-1/4" x 123-1/4"	W63.250	Width 63.250 inches	L123.250	Length 123.250 inches					
	<i>Use CUST for Custom sized units.</i>	W ____	Custom Width	L ____	Custom Length*					



Lens Color	Unit Type	Continuous Venting	Skylight Frame Finish	Options
LENSWH	White (Single Glaze Default) ¹	805SC Continuous Vent	MI Mill (Default)	(blank) No Options
LENSCL	Clear ¹	1BL 1 Blade Continuous Vent		SCRN Bug Screen
LENSWHCL	White Clear ²	2BL 2 Blade Continuous Vent		
LENSCLWH	Clear White (Double Glaze Default) ²	3BL 3 Blade Continuous Vent		
LENSWHWH	White White ²	4BL 4 Blade Continuous Vent		
LENSCLCL	Clear Clear ²	5BL 5 Blade Continuous Vent		
		6BL 6 Blade Continuous Vent		
		7BL 7 Blade Continuous Vent		
		8BL 8 Blade Continuous Vent		
		9BL 9 Blade Continuous Vent		
		10BL 10 Blade Continuous Vent		

* mold fee may apply 1) Single Glaze 2) Double Glaze