

Military Grade Signature™

Fixed Industrial Skylight



SIG MLTG | Frame Model 800MD

AVAILABLE CERTIFICATIONS

GSA/ISC Performance Condition at every level of protection for DOD Chapter 10.

Buy American: This product is assembled in the USA and meets the Buy America(n) government procurement requirements under FAR, DFARS and DOT. Please refer to www.acuitybrands.com/resources/buy-american for additional information.

Warranty: 10-year and 15-year limited warranty available. Complete warranty terms located at: www.acuitybrands.com/support/warranty/terms-and-conditions

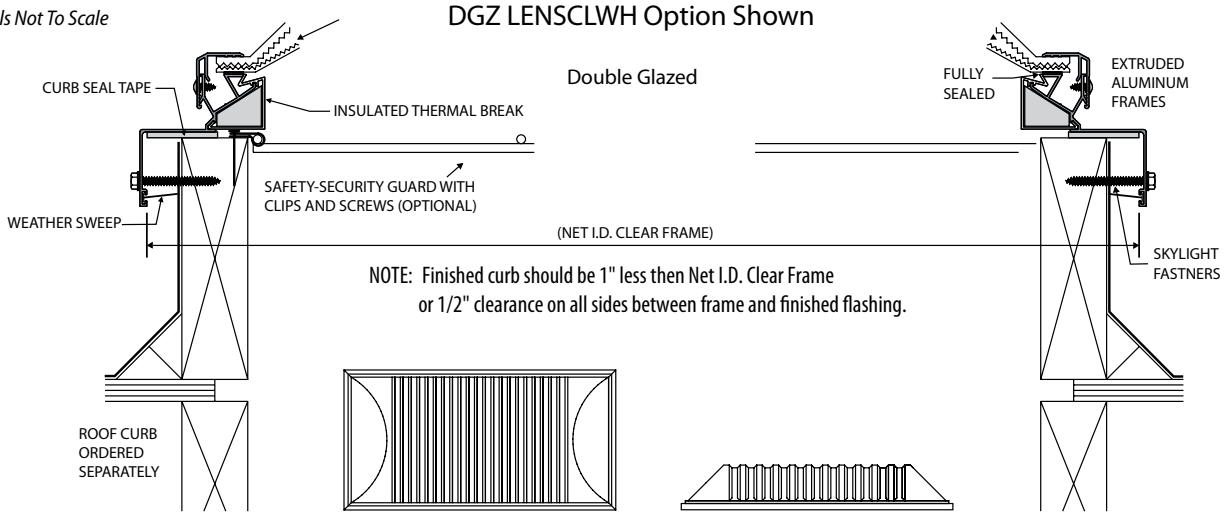
Note: Actual performance may differ as a result of end-user environment and application.

Specifications subject to change without notice.



PRODUCT PROFILE

Details Not To Scale



SPECIFICATIONS

Skylights shall be Sunoptics Military Grade model 800MD (curb mounted) as manufactured by Sunoptics Skylights, an Acuity Brands Company, 6201 27th Street, Sacramento CA 95822 916/395-4700.

Skylights shall be glazed ready for installation.

Skylight frames shall be fabricated from extruded aluminum, finish to be natural mill. Frames shall have integral condensation and weepage gutters which drain interior moisture to the outside. Corners shall be mitered and welded. The acrylic glazing shall be separated from the skylight frame with a flexible seal.

Skylights shall be glazed CC1 rated prismatic polycarbonate in a Signature Series Dome configuration.

Military Grade Signature Skylights shall be Single or Double Glazed Polycarbonate Prismatic lens CC1 rated.

Military Grade Signature Skylights are tested to ASTM F1642 and GSA-TS01 to meet all GSA performance conditions. Military Grade Skylights have a size limitation from 24 ft² to 35.2 ft².

Certain airborne contaminants can diminish the integrity of acrylic and/or polycarbonate lenses. Refer to the compatibility tables for suitable uses on our website.

Skylights not for use in Harsh, Corrosive, Marine and high-humidity Environmental Conditions such as Marina, Greenhouses, Petrol-Chemical facilities or other chemicals where the skylights may be exposed to such conditions.

Note: Multi-glazed units default to include Insulated Thermal Break (ITBR), Curb Seal Tape, Weather Sweep (WSW) and screws. Single-glazed units default to not included any of these options.

Skylight Hail Class Rating

Material Type	Lens Material	Resistance Rating	Hail Size
Polycarbonate	CC1	Class 4	2"

Skylight Thermal Performance

Type	SHGC	U-Value	VLT
Single Glazed Poly	.58	n/a	.70
Doubled Glazed Clear/White	.42	.70	.64
Double Glazed White/White	.31	.70	.60

Cleaning Plastic Lenses: Frequency of cleaning is determined by site conditions. When cleaning plastic lenses, use only water or water with a mild soap. Use a soft rag to minimize scratching the plastic. A pressure washer is acceptable to use as well. Never use ammonia, aromatic or petroleum based products to clean acrylic lenses. This will cause deterioration and cracking of the lens and will void the warranty.

Skylights should not be installed in locations with an operating temperature in excess of -75° F or 180° F.

ORDERING LOGIC

Signature Series Dome

						▶▶▶
--	--	--	--	--	--	-----

Fixture	ID Frame Call-Out	ID Frame Width	ID Frame Length	Glazing	Lens Material	
SIG Signature Series	3080	39-1/4" x 99-1/4"	W39.250 Width 39.250 inches	L99.250 Length 99.250 inches	SGZ Single Glaze	CC1 Polycarbonate
	4060	51-1/4" x 75-1/4"	W51.250 Width 51.250 inches	L75.250 Length 75.250 inches	DGZ Double Glaze	
	4070	51-1/4" x 87-1/4"	W51.250 Width 51.250 inches	L87.250 Length 87.250 inches		
	4080	52-1/4" x 100-1/4"	W52.250 Width 52.250 inches	L100.250 Length 100.250 inches		
	5050	63-1/4" x 63-1/4"	W63.250 Width 63.250 inches	L63.250 Length 63.250 inches		
	5060	63-5/8" x 75-5/8"	W63.625 Width 63.625 inches	L75.625 Length 75.625 inches		
	5558	67-3/4" x 70-3/4"	W67.750 Width 67.750 inches	L70.750 Length 70.750 inches		
	5070	63-1/4" x 87-1/4"	W63.250 Width 63.250 inches	L87.250 Length 87.250 inches		
	Use CUST for Custom sized units.* ³		W . . . Custom Width	L . . . Custom Length*		

IMPORTANT: Consult Factory for anything outside of minimum or maximum range
 Min/Max Width: 39.250 inches / 63.250 inches
 Min/Max Length: 63.250 inches / 100.250 inches

--	--	--	--

Lens Color	Unit Type	Skylight Frame Finish	Options
LENSWH White (Single Glaze Default) ¹	800MD Standard Frame	MI Mill (Default)	(blank) No Options
LENSCL Clear ¹			MLTG DOD Blast rated "Military Grade"
LENSWHCL White Clear ²			ITBR Insulated thermal break ¹
LENSCLWH Clear White (Double Glaze Default) ²			NITBR No Insulated Thermal Break ²
LENSWHWH White White ²			WSW Weather Sweep ¹
LENSCLCL Clear Clear ²			NWSW No Weather Sweep ²

* mold fee may apply 1) Single Glaze 2) Double Glaze 3) Size limitation from 24 ft² to 35.2 ft²

