



# External Fall Protection

Skylight Fall Protection



**Model ESFP**

## AVAILABLE CERTIFICATIONS

Designed and tested to comply with OSHA General Industry Standard.

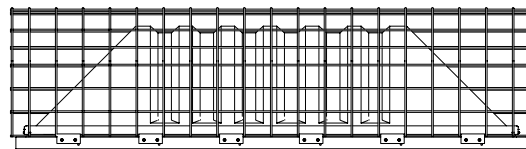
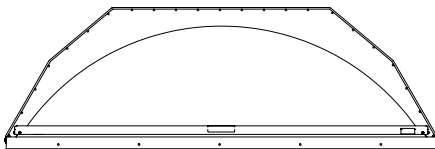
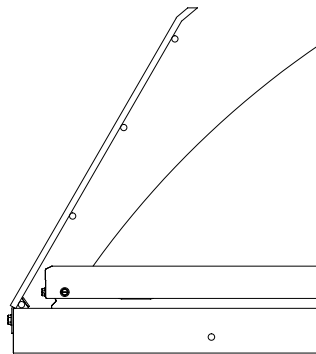
**Warranty:** 10 year and 15 year limited warranty available. Complete warranty terms located at: [www.acuitybrands.com/CustomerResources/Terms\\_and\\_conditions.aspx](http://www.acuitybrands.com/CustomerResources/Terms_and_conditions.aspx)

**Note:** Actual performance may differ as a result of end-user environment and application.

Specifications subject to change without notice.

## PRODUCT PROFILE

*Details Not To Scale*



## SPECIFICATIONS

Safety / Security Guard shall be Sunoptics model ESFP as supplied by Sunoptics Skylights, an Acuity Brands Company, 6201 27th Street, Sacramento CA 95822 916/395-4700.

ESFP (External Skylight Fall Protection) shall be fabricated from 3 gauge (.244" diameter) galvanized steel, 4" maximum on center in both directions, having a 125,000 PSI tensile strength. (Meets OSHA Fall Protection Standards)

All Safety / Security Guards shall be ready for installation. All Guard assemblies shall include Guard, #8 x 1/2" TEK screws and installation clips.

# ORDERING LOGIC

# External Skylight Fall Protection

Fixture	ID Frame Callout	Inside Frame Width	Inside Frame Length	Options	
ESFP External Skylight Fall Protection	2020	27-1/4" x 27-1/4"	W27.250 27.250"	L27.250 27.250"	(blank) Sunoptics Skylight Frame
	2040	27-1/4" x 51-1/4"	W27.250 27.250"	L51.250 51.250"	PL Competition Skylight Frame
	2080	27-1/4" x 99-1/4"	W27.250 27.250"	L99.250 99.250"	CLPOG Velux Comercial Skylight Frame
	20100	27-1/4" x 123-1/4"	W27.250 27.250"	L123.250 2PCS 123.250"	
	3030	39-1/4" x 39-1/4"	W39.250 39.250"	L39.250 39.250"	
	3050	39-1/4" x 63-1/4"	W39.250 39.250"	L63.250 63.250"	
	3060	39-1/4" x 75-1/4"	W39.250 39.250"	L75.250 72.250"	
	3080	39-1/4" x 99-1/4"	W39.250 39.250"	L99.250 99.250"	
	30100	39-1/4" x 123-1/4"	W39.250 39.250"	L123.250 2PCS 123.250"	
	4040	51-1/4" x 51-1/4"	W51.250 51.250"	L51.250 51.250"	
	4050	51-1/4" x 63-1/4"	W51.250 51.250"	L63.250 63.250"	
	4060	51-1/4" x 75-1/4"	W51.250 51.250"	L75.250 75.250"	
	4070	51-1/4" x 87-1/4"	W51.250 51.250"	L87.250 87.250"	
	4080	52-1/4" x 100-1/4"	W52.250 52.250"	L100.250 100.250"	
	40100	52-1/4" x 123-1/4"	W52.250 52.250"	L123.250 2PCS 123.250"	
	5050	63-1/4" x 63-1/4"	W63.250 63.250"	L63.250 63.250"	
	5060	63-5/8" x 75-5/8"	W63.625 63.250"	L75.625 75.625"	
	5558	67-3/4" x 70-3/4"	W67.750 68.750"	L70.750 70.750"	
	5070	63-1/4" x 87-1/4"	W63.250 63.250"	L87.250 2PCS 87.250"	
	5080	63-1/4" x 99-1/4"	W63.250 63.250"	L99.250 2PCS 99.250"	
50100	63-1/4" x 123-1/4"	W63.250 63.250"	L123.250 2PCS 123.250"		

Use **CUST** for Custom sized units.  
Do not make **MASS** Valid

Note: 20100, 30100, 40100, 50100, 5070 and 5080 will ship in 2 pieces



ESFP\_External Skylight Fall Protection