

# Motorized Light Louvers

With Exterior Motor



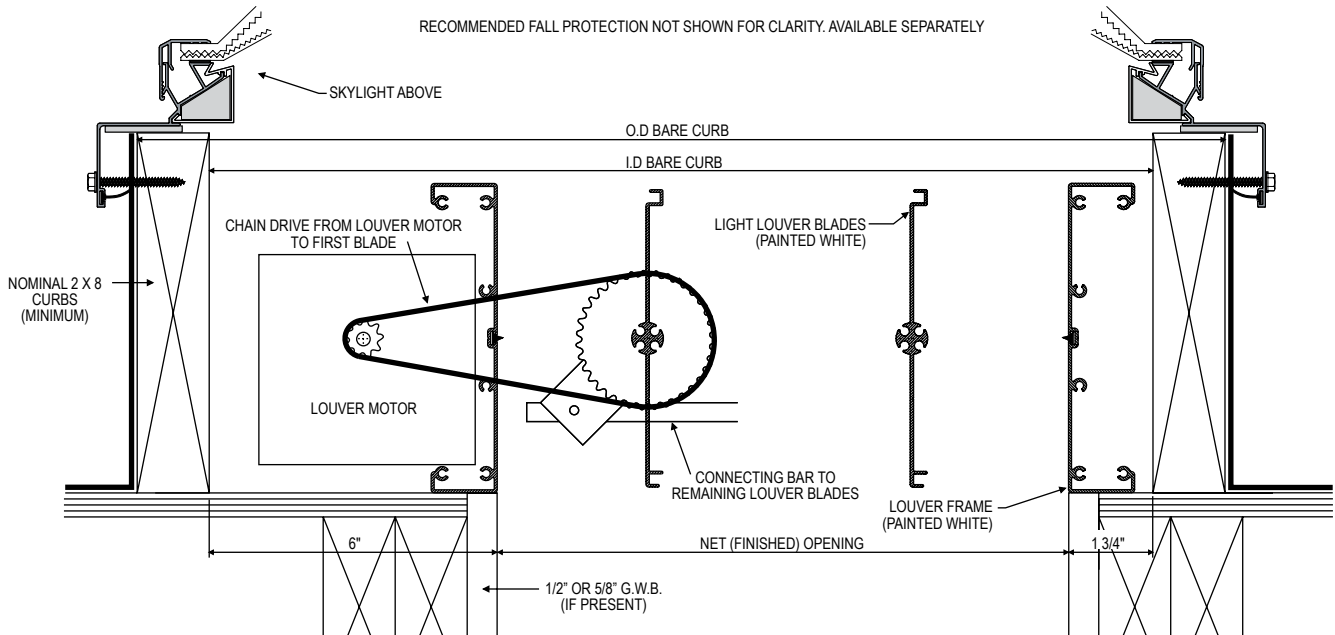
## Frame Model 900

### KEY FEATURES

Exterior motor mount for new construction

### PRODUCT PROFILE

Details Not To Scale



### SPECIFICATIONS

Light Control Louvers shall be Sunoptics model 900 motorized as manufactured by Sunoptics Skylights, 6201 27th Street, Sacramento Ca. 95822 916/395-4700

External Motor Louvers shall be factory assembled, ready for installation.

External Motor Louver frame and blades shall be fabricated from 6063-T6 aluminum, finish to be baked on enamel, white in color.

External Motor Louver frames shall be mechanically joined at the corners. Blades shall be 6" on center, rotating on a 5/8" rigid PVC bearing. Aluminum end plates shall be fastened to the ends of each blade and act as thrust caps against the PVC bearing. End plates shall be attached to an aluminum bar on 1 side for gang operation.

External Motor Louvers shall be electrically operated using Sunoptics standard synchronous 115VAC motor unit. The 60hz, 7 Watt motor shall be integrated to the louver assembly and shall be equipped with limit switches at full open and closed positions drawing .06 amps.

A cycle test was performed on the Sunoptics Louver and successfully taken to over 2,000,000 cycles.

External Motored Louver is not available for AMBC-1 curbs. Please use the Internal Motored Louver with this curb option.

**Note:** When ordering External Motor Louvers in conjunction with the a new curb, ensure the curb does not include the integrated fall protection. The louver is designed to be installed from the rooftop and the integrated fall protection will interfere with installation. The Sunoptics clip-on guard or the Sunoptics external fall protection should be ordered and installed after the louver is in place.

**Warranty:** 5-year limited warranty available. Complete warranty terms located at: [www.acuitybrands.com/resources/terms-and-conditions](http://www.acuitybrands.com/resources/terms-and-conditions)

**Note:** Actual performance may differ as a result of end-user environment and application.

Specifications subject to change without notice.

# ORDERING LOGIC

# External Motor Louver

Fixture	Net (Finished) Opening	Net (Finished) Opening Width	Net (Finished) Opening Length	Motor Location	Motor Type	
LVR Louver	<b>2020</b>	19-1/2" x 15-1/4"	<b>W19.500</b> Width 19.500 inches	<b>L15.25</b> Length 15.250 inches	<b>EXTM</b> External Motor	<b>115VAC</b> 115 Volt AC Motor
	<b>2030</b>	19-1/2" x 27-1/4"	<b>W19.500</b> Width 19.500 inches	<b>L27.25</b> Length 27.250 inches		
	<b>2040</b>	19-1/2" x 39-1/4"	<b>W19.500</b> Width 19.500 inches	<b>L39.25</b> Length 39.250 inches		
	<b>2060</b>	19-1/2" x 63-1/4"	<b>W19.500</b> Width 19.500 inches	<b>L63.25</b> Length 63.250 inches		
	<b>2080</b>	19-1/2" x 87-1/4"	<b>W19.500</b> Width 19.500 inches	<b>L87.25</b> Length 87.250 inches		
	<b>3030</b>	31-1/2" x 27-1/4"	<b>W31.500</b> Width 31.500 inches	<b>L27.25</b> Length 27.250 inches		
	<b>3040</b>	31-1/2" x 39-1/4"	<b>W31.500</b> Width 31.500 inches	<b>L39.25</b> Length 39.250 inches		
	<b>3060</b>	31-1/2" x 63-1/4"	<b>W31.500</b> Width 31.500 inches	<b>L63.25</b> Length 63.250 inches		
	<b>3080</b>	31-1/2" x 87-1/4"	<b>W31.500</b> Width 31.500 inches	<b>L87.25</b> Length 87.250 inches		
	<b>4040</b>	43-1/2" x 39-1/4"	<b>W43.500</b> Width 43.500 inches	<b>L39.25</b> Length 39.250 inches		
	<b>4060</b>	43-1/2" x 63-1/4"	<b>W43.500</b> Width 43.500 inches	<b>L63.25</b> Length 63.250 inches		
	<b>4070</b>	43-1/2" x 75-1/4"	<b>W43.500</b> Width 43.500 inches	<b>L75.25</b> Length 75.250 inches		
	<b>4080</b>	44-1/2" x 88-1/4"	<b>W44.500</b> Width 44.500 inches	<b>L88.25</b> Length 88.250 inches		
	<b>5050</b>	55-1/2" x 51-1/4"	<b>W55.500</b> Width 55.500 inches	<b>L51.25</b> Length 51.250 inches		
	<b>5060</b>	55-7/8" x 63-5/8"	<b>W55.875</b> Width 55.875 inches	<b>L63.625</b> Length 63.625 inches		
	<b>CUST</b>	Use CUST for Custom sized units.*				
	* Max width = 58-1/2", Max Length = 88-1/4"					

### Louver (LVR) Louver control options. One each per zone

*212CJ8	nSP5 2P LVR - Skylight Louver Control Pack
*262P7U	nPODM SW3 OCB WH - Louver Control
*222J7X	nCMR ADC LVR – Photocell (not required if automatic daylight control not required)
	or (for manual operation)
Outsourced	Single Pole Double Throw Momentary Switch



LV\_EXTERNAL\_MOTOR\_LOUVER