

Industrial Smoke Vent



SVT | Frame Model 870B

KEY FEATURES

Available Snow Load (10 Pounds or 30 Pounds per Square Foot)

AVAILABLE CERTIFICATIONS

FM Approval #4430
UL Listed
CE Certified

Buy American: This product is assembled in the USA and meets the Buy America(n) government procurement requirements under FAR, DFARS and DOT. Please refer to www.acuitybrands.com/resources/buy-american for additional information.

Warranty: 10-year limited warranty available. Complete warranty terms located at: www.acuitybrands.com/support/warranty/terms-and-conditions

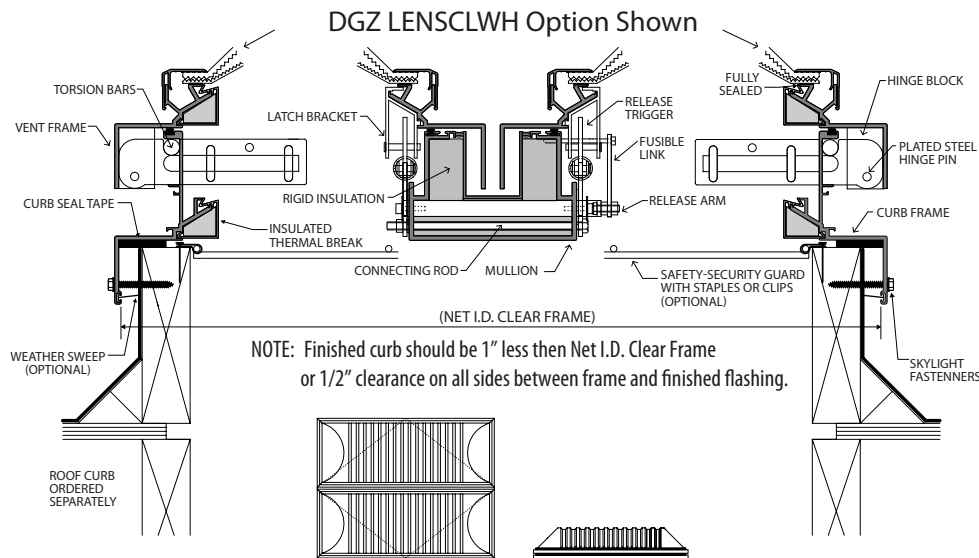
Note: Actual performance may differ as a result of end-user environment and application.

Specifications subject to change without notice.



PRODUCT PROFILE

Details Not To Scale



SPECIFICATIONS

FM Approved Smoke Vents shall be Sunoptics model 870B Factory Mutual (curb mounted) as manufactured by Sunoptics Skylights, 6201 27th Street, Sacramento Ca. 95822 916/395-4700.

UL Listed Smoke Vents shall be Sunoptics model 870B UL Listed (curb mounted) as manufactured by Sunoptics Skylights, 6201 27th Street, Sacramento Ca. 95822 916/395-4700.

Smoke Vents shall be glazed ready for installation.

Smoke Vent frames shall be fabricated from 6063 T6 aluminum, finish to be natural mill. Frames shall have integral condensation and weepage gutters which drain interior moisture to the outside. Corners shall be mitered and welded. The acrylic glazing shall be separated from the Smoke Vent frame with a Silicon Seal.

Note: Multi-glazed units default to include Insulated Thermal Break (ITBR), Curb Seal Tape, Weather Sweep (WSW) and screws. Single-glazed units default to not included any of these options.

Certain airborne contaminants can diminish the integrity of acrylic and/or polycarbonate lenses. Refer to the compatibility tables for suitable uses on our website.

Smoke Vents shall operate by a fusible link with a minimum tempature rating of 165 degrees. The fusible link mechanism with Gas Shocks shall include an exterior manual release cable for testing. Smoke Vents shall open to a minimum angle of 105 degrees.

FM #4430 Approved Smoke Vent shall be Double glazed using CLEAR ARMOR® Clear Prismatic Polycarbonate over CLEAR ARMOR® High White Prismatic Polycarbonate lens, CC1 Rated, glazed in a Signature Series Dome configuration. SNOW LOAD LIFT IN PSF; 10lb. only. Must have a Minimum 360° Fusible Link.

UL Listed Smoke Vent lens shape can be Signature, which can be made from 100% Impact modified Acrylic or CLEAR ARMOR® Polycarbonate as well as the Double hip lens which can only be made from 50% Impact Modified Acrylic or CLEAR ARMOR® Polycarbonate. SNOW LOAD LIFT IN PSF (10lb. or 30lb.) PER PROJ. ECT NEEDS (32 square foot size limit).

Smoke Vents not for use in Harsh, Corrosive, Marine and high-humidity Environmental Conditions such as Marina, Greenhouses, Petrol-Chemical facilities or other chemicals where the skylights may be exposed to such conditions.

Skylight Hail Class Rating

Material Type	Lens Material	Resistance Rating	Hail Size
Acrylic	50CC2 ³	Class 1	1-1/4"
Acrylic	CC2CL3	Class 3	1-3/4"
Polycarbonate over Acrylic	CC1CC2	Class 4	2"
Polycarbonate	CC1	Class 4	2"

Cleaning Acrylic Lenses: Frequency of cleaning is determined by site conditions. When cleaning acrylic lenses, use only water or water with a mild soap. Use a soft rag to minimize scratching the acrylic. A pressure washer is acceptable to use as well. Never use ammonia, aromatic or petroleum based products to clean acrylic lenses. This will cause deterioration and cracking of the lens and will void the warranty.

Smoke Vents should not be installed in locations with an operating temperature in excess of -75° F or 180°F.

ORDERING LOGIC

Industrial Smoke Vent

						▶▶
--	--	--	--	--	--	----

Fixture	ID Frame Call-Out	ID Frame Width	ID Frame Length	Glazing Shape	Glazing
SVT Smoke Vent	4050 51-1/4" x 63-1/4"	W51.250 Width 51.250 inches	L63.250 Length 63.250 inches	SIGL Signature Series	SGZ Single Glaze
	4060 51-1/4" x 75-1/4"	W51.250 Width 51.250 inches	L75.250 Length 75.250 inches	DHPL Double Hip Series	DGZ Double Glaze
	4070 51-1/4" x 87-1/4"	W51.250 Width 51.250 inches	L87.250 Length 87.250 inches		
	4080 52-1/4" x 100-1/4"	W52.250 Width 52.250 inches	L100.250 Length 100.250 inches		
	5060 63-5/8" x 75-5/8"	W63.625 Width 63.625 inches	L75.625 Length 75.625 inches		
	5070 63-1/4" x 87-1/4"	W63.250 Width 63.250 inches	L87.250 Length 87.250 inches		
	5080 63-1/4" x 99-1/4"	W63.250 Width 63.250 inches	L99.250 Length 99.250 inches		
	<i>Use CUST for Custom sized units.</i>		W . . . Custom Width	L . . . Custom Length*	

IMPORTANT: Consult Factory for anything outside of minimum or maximum range
 Min/Max Width: 51.250 inches / 63.250 inches
 Min/Max Length: 63.250 inches / 100.250 inches

						▶▶
--	--	--	--	--	--	----

Glazing Material	Glazing Colors	Fusible Link	Snow Load
CC1CL2 Polycarbonate/ Acrylic	LENSWH White (Single Glaze Default) ¹	165FL 165 Degree Fusible Link ³	10LB 10 Pound Snow Load (Default)
	LENSCL Clear ¹	212FL 212 Degree Fusible Link ³	30LB 30 Pound Snow Load ³
CC1 Polycarbonate	LENSWHCL White Clear ²	286FL 286 Degree Fusible Link ³	
	LENSCLWH Clear White (Double Glaze Default) ²	360FL 360 Degree Fusible Link	
50CC2 50% IM Acrylic* ³	LENSWHWH White White ²	370FL 370 Degree Fusible Link	
	LENSCLCL Clear Clear ²	386FL 386 Degree Fusible Link	

--	--	--	--	--	--

Unit Type	Smoke Vent Frame Finish	Options
870B Standard Frame	MI Mill (Default)	(blank) No Options
		FMRTG Factory Mutual Approved**
		UL UL Listed Smoke Vent***
		CE European Standard Certified
		ITBR Insulated thermal break
		NITBR No Insulated Thermal Break
		WSW Weather Sweep
		NWSW No Weather Sweep
		URS Urethane Sealant

* available for UL, DH only ** Largest size available = 5080 *** Largest size available = 32 square feet 1) Single Glaze 2) Double Glaze 3) Not available with FM unit

